

M23 SIGNAL CABLE

Specification: M6FX8002-2CH00-1BA0

Signal cable for SINAMICS S120 and motors with connection M23

Female straight – female 90°

M23, 17-pole – SUB-D25

shielded

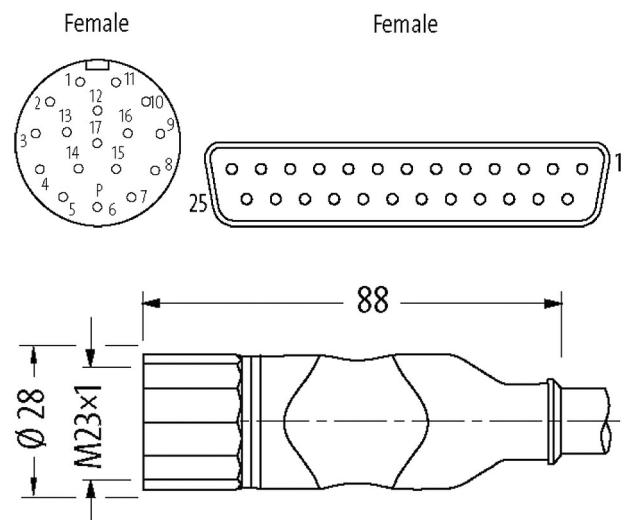
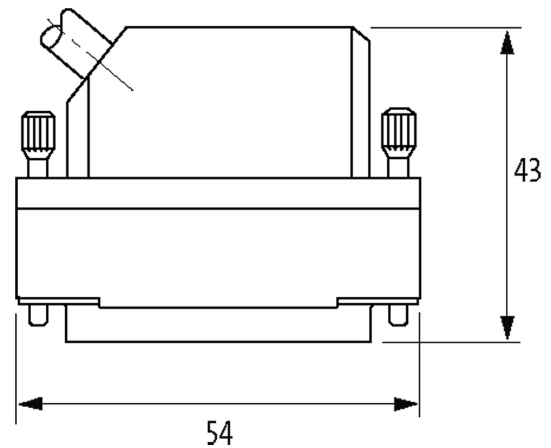
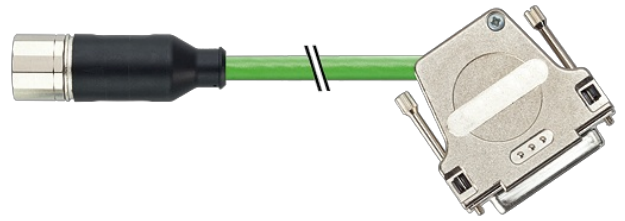
Further cable lengths on request.

The resistance to aggressive media should be individually tested for your application. Further details on request.

Plastic housings with good resistance against chemicals and oils.

[Link to Product](#)

Illustration



Product may differ from Image

Form

Form SS211

General data

Temperature range -25...+85 °C, depending on cable quality

Cables

Cable number	882
No./diameter of wires	(3 × (2 × 0.14D) + 2 × 0.5 + 4 × 0.14)-C
Wire isolation	PP (ye, gn, bk, br, rd, or, brrd, brbl, gr, bl, whye, whbk)
C-track properties	10 Mio.
Jacket Color	green
Material (jacket)	PUR (UL/CSA)
Outer Ø	8.9 mm ±5%

Bend radius (fixed)	10× outer Ø
Bend radius (moving)	12× outer Ø
Temperature range (fixed)	-50...+80 °C
Temperature range (mobile)	-35...+70 °C
Shield	yes

Technical Data

Operating voltage	max. 30 V AC/DC
Locking of ports	Screw thread (M23×1 mm) recommended torque 2.0 Nm, self-securing
Protection	IP20/IP67

Commercial data

country of origin	DE
customs tariff number	85444290
EAN	4048879481618
eClass	27279218
Packaging unit	1